



# Dishwashers

FFBD1821M S/W/B

18" Built-In



## Product Dimensions

Height (Adjustable)	32-1/2" – 34-7/8"
Width	17-5/8"
Depth (Including Door)	23"

## More Easy-To-Use Features

### Ready-Select® Controls

Easily select options with the touch of a button.

### Energy Saver

Eco-friendly cycle uses less energy without compromising cleaning performance.

### Energy Saver Dry Option

No heat dry option.

### Attractive Stainless Steel Exterior<sup>1</sup>

### Low-Rinse Aid Indicator Light

### Control Lock Option

### China/Crystal Cycle

For a truly gentle cleaning action, the China/Crystal Cycle reduces wash pressure by 30% for a thorough cleaning of your most delicate stemware.

ENERGY STAR®  
A.D.A. Compliant<sup>2</sup>



## Available in:



Stainless  
(S)



White  
(W)



Black  
(B)

## Signature Features

### Stainless Steel Interior

Premium stainless steel interior for maximum durability.

### Quiet Dishwasher

A quiet performance every time.

### Multiple-Cycle Options

Features easy-to-use cleaning cycle options including China & Crystal and Heavy Wash.

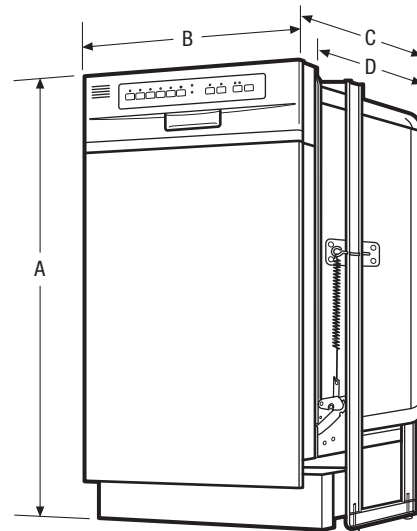
### Delay Start

Set your dishwasher to run on your schedule.

<sup>1</sup>Select model only.

<sup>2</sup>When properly installed, meets the appliance standards in the Americans with Disabilities Act and the Architectural Barriers Act Accessibility Guidelines as published by the United States Access Board on June 23, 2004, as amended August 5, 2005.

<b>Features</b>	
Control Design	Ready-Select®
Digital Display	
Door Latch	Pull Latch
Stay-Put Door Hinge Design	
Low Rinse-Aid Indicator Light	Yes
Interior Design	Standard
Interior Color	Stainless Steel
Wash System	Direct Feed
Wash Levels/Wash Speeds	4/1
Sound Package	UltraQuiet™ 3
Filter	Manual Clean
Filter Trap	Removable
Soft Food Disposer	
dB Level	55
Drying System	Static
<b>Cycles</b>	
Number of Cycles	6
Heavy	Yes
Normal	Yes
Light	Yes
Delicate	
Favorite	
China/Crystal	Yes
Rinse Only	
Energy Saver	Yes
Upper Rack Wash Only	
Cycle Indicator Light	
Control Lock	Yes
<b>Options</b>	
Heat/No Heat Dry	Yes
Hi-Temp Wash	
NSF® Certified Sanitize Rinse	
Delay Start	2 or 4 Hour
<b>Rack System</b>	
Rack Design/Rack Coating	Deluxe/Nylon
Upper Rack -	
Stemware/Champagne Glass Holders	
Fold-Down Tines	
Cup Shelves	
Lower Rack -	
Silverware Basket	Standard
Fold-Down Tines	
Small Items Cover	
<b>Certifications</b>	
ENERGY STAR®	Yes
A.D.A. Compliant¹	Yes
<b>Specifications</b>	
Water Inlet Location	Left Bottom Front
Water Usage (Gallons)	3.96
Water Pressure (PSI)	20 - 120
Integral Air Gap on Supply	Yes
Leveling Legs	4
Power Supply Connection Location	Right Bottom Front
Voltage Rating	120V / 60 Hz / 15A
Connected Load (kW Rating) @ 120 Volts²	1.44
Amps @ 120 Volts	8.5
Shipping Weight (Approx.)	71 Lbs.



NOTE: For planning purposes only. Always consult local and national electric and plumbing codes. Refer to Product Installation Guide for detailed installation instructions on the web at [frigidaire.com](http://frigidaire.com).



Meets requirements of ASSE 1006

Product Dimensions	
A - Height (Adjustable)	32-1/2" - 34-7/8"
B - Width	17-5/8"
C - Depth (Including Door)	23"
D - Depth (To Tub Flange)	22-1/2"
Depth with Door Open 90°	46"

Cutout Dimensions	
Height (Min.)	32-1/2" (A.D.A!)
Height (Max.)	35-1/4"
Width (Min.-Max.)	17-5/8"-18"
Depth (Min.)	24"

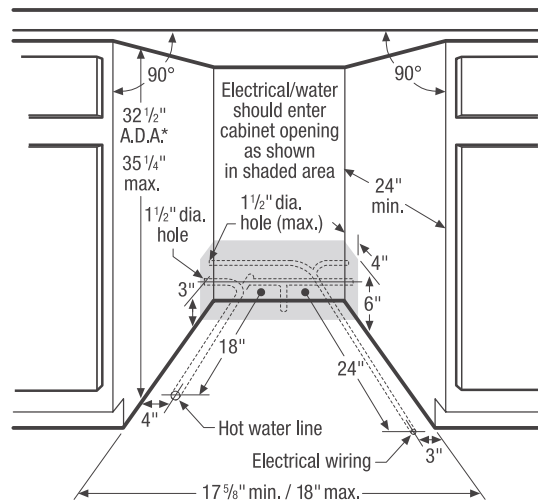
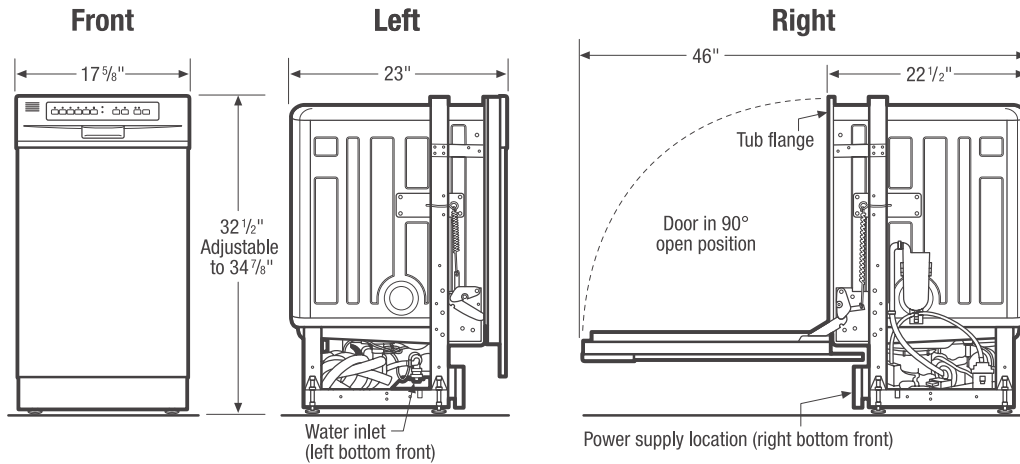
¹When properly installed, meets the appliance standards in the Americans with Disabilities Act and the Architectural Barriers Act Accessibility Guidelines as published by the United States Access Board on June 23, 2004, as amended August 5, 2005.

²For use on adequately wired 120V, dedicated circuit having 2-wire service with a separate ground wire. Appliance must be grounded for safe operation.

Accessories information available on the web at [frigidaire.com](http://frigidaire.com)

FRIGIDAIRE

USA • 10200 David Taylor Drive • Charlotte, NC 28262 • 1-800-FRIGIDAIRE • [frigidaire.com](http://frigidaire.com)  
 CANADA • 5855 Terry Fox Way • Mississauga, ON L5V 3E4 • 1-800-265-8352 • [frigidaire.ca](http://frigidaire.ca)



\*A.D.A. installation, (32 1/2") beneath 34"-high countertop may be accomplished by adjusting toekick and leveling legs.

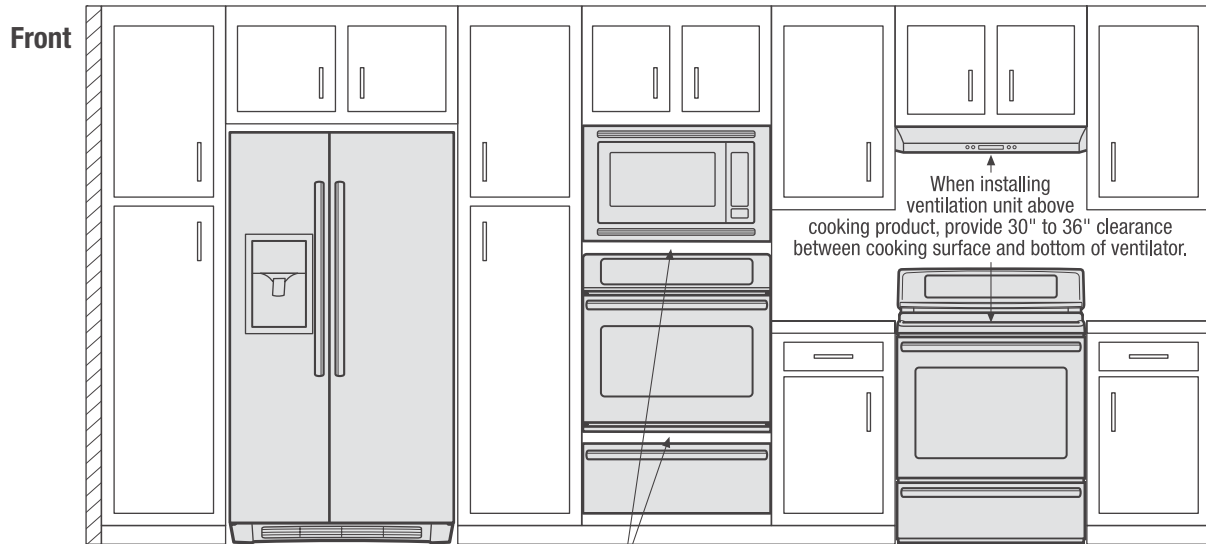
**Dishwasher Specifications**

- Product Shipping Weight (approx.) - 71 Lbs.
- Voltage Rating - 120V/60 Hz/15 Amps (maximum 20 Amps if connected with disposer)
- Connected Load (kW Rating) @ 120 Volts = 1.44 kW (For use on adequately wired 120V, dedicated circuit having 2-wire service with a separate ground wire. Appliance must be grounded for safe operation.)
- Amps @ 120V = 8.5 Amps
- Always consult local and national electric & plumbing codes. Meets requirements of ASSE 1006 – integral air gap on supply.
- Dishwasher enclosure requires that adjacent cabinets be square and plumb. Unit must be fully enclosed on top, sides and back; and not support any part of enclosure.
- For A.D.A. installation, (32 1/2") beneath 34"- high countertop may be accomplished by adjusting toekick and leveling legs.
- When installing unit adjacent to wall, cabinet or other obstruction that extends beyond front edge of unit, allow 2" minimum clearance between opened door and obstruction.
- Do not install unit beneath cooktop, damage will occur.

- Make sure location has required drain, water and electrical outlets to make proper connections.
- Air gap required if drain is connected to waste tee or disposer lower than 18" above floor. If no air gap required, minimum 32"-high drain loop must be used. Total drain hose length must not exceed 10' to drain outlet.
- Electrical and water supplies should enter enclosure on floor, or through rear or cabinet side walls, as shown in designated shaded area. Hot water line may pass through same hole as electrical cable and drain hose; or through additional 1-1/2" dia. hole designated to accommodate line.
- Water connection located on left side of dishwasher. Install hot water inlet line using no less than 3/8" O.D. copper and extend forward at least 18" from rear wall with hand shut-off valve accessible beneath sink.
- Water Pressure - Hot water line to dishwasher must provide between 20 and 120 pounds per square inch (psi).

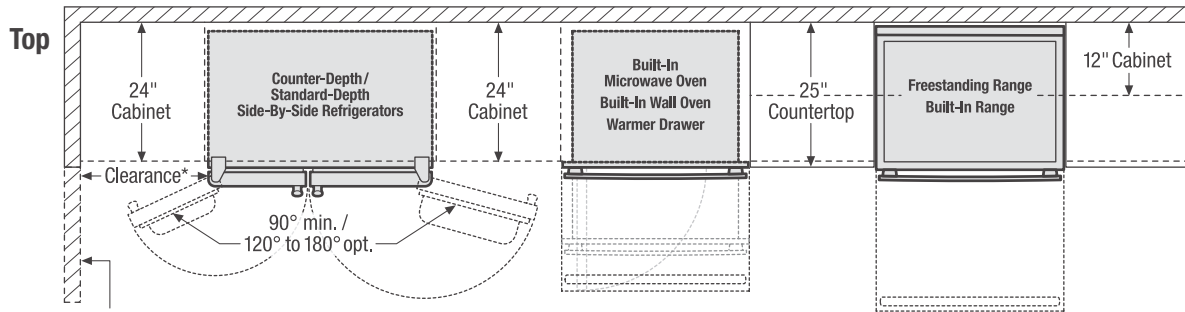
**Note:** For planning purposes only. Refer to Product Installation Guide on the web at [frigidaire.com](http://frigidaire.com) for detailed instructions.

Use these dimensions and clearance instructions for planning purposes only. For detailed installation instructions, refer to installation guide, packed with product, or on the web at frigidaire.com.



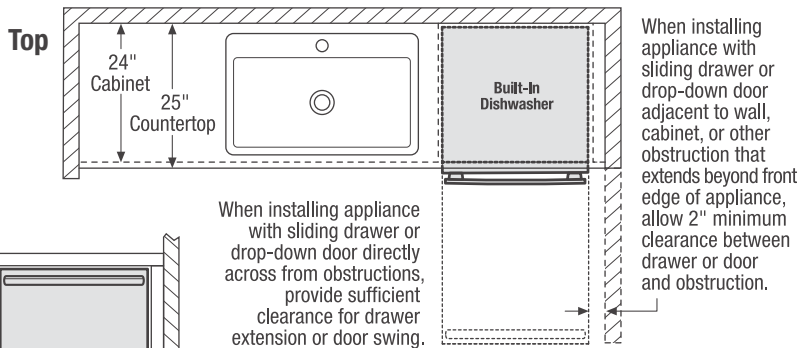
When installing built-in cooking appliances in combination, 2"-high minimum visible gap between appliance faceplates required.

When installing ventilation unit above cooking product, provide 30" to 36" clearance between cooking surface and bottom of ventilator.

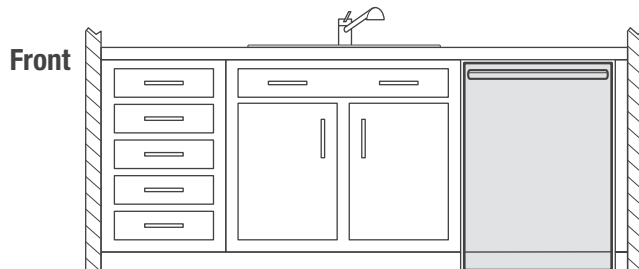


\*When installing side-by-side refrigerator adjacent to wall, cabinet or another appliance that extends beyond front edge of unit, 20" minimum clearance recommended to allow for optimum 120° to 180° door swing, providing complete drawer/crisper access and removal. (Absolute 4-1/2" minimum clearance will ONLY allow for 90° door swing which will provide limited drawer/crisper access with restricted removal.)

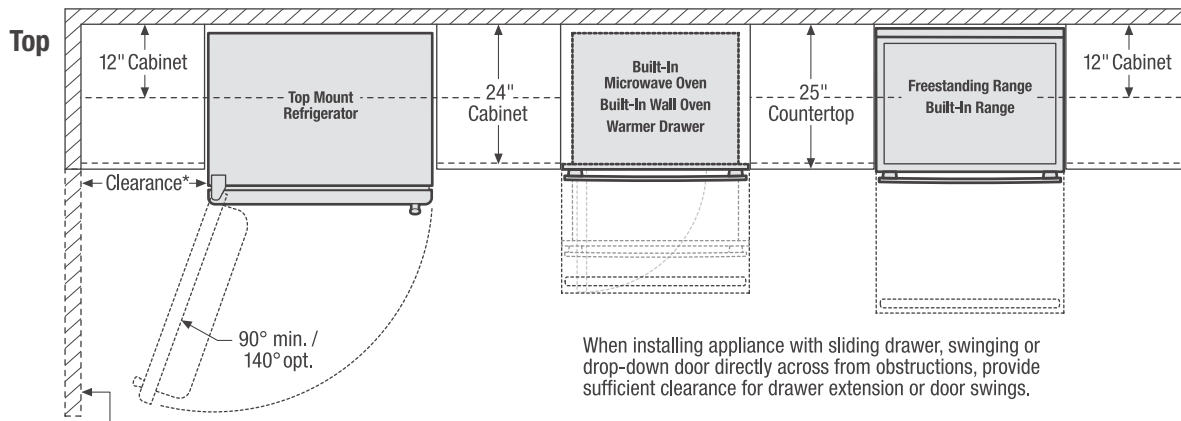
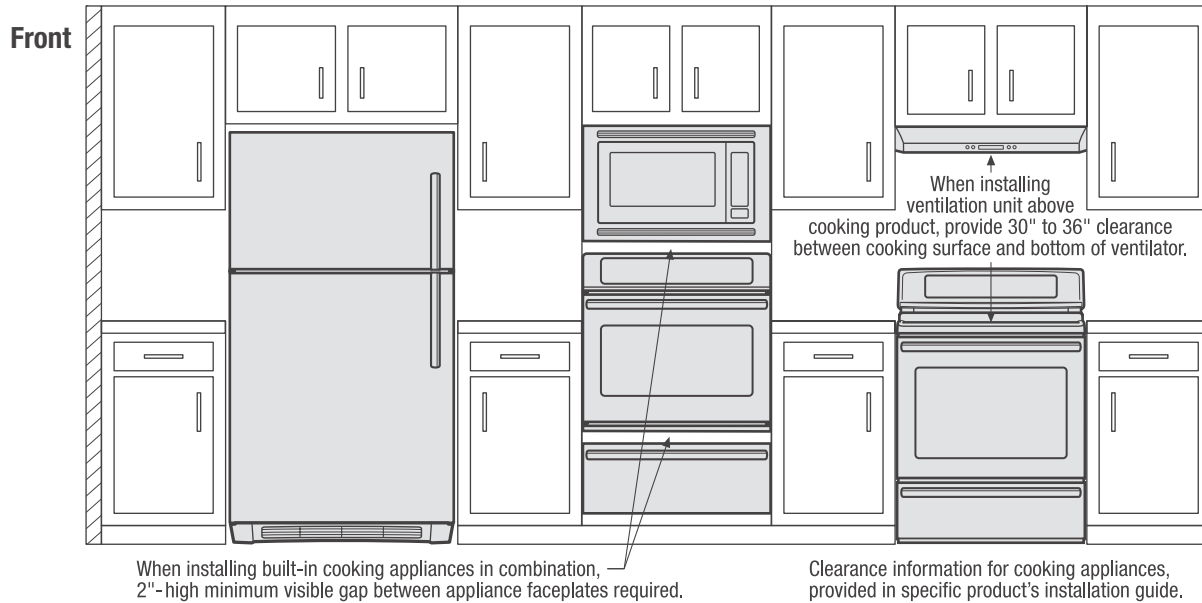
When installing appliance with sliding drawer, swinging or drop-down door directly across from obstructions, provide sufficient clearance for drawer extension or door swings.



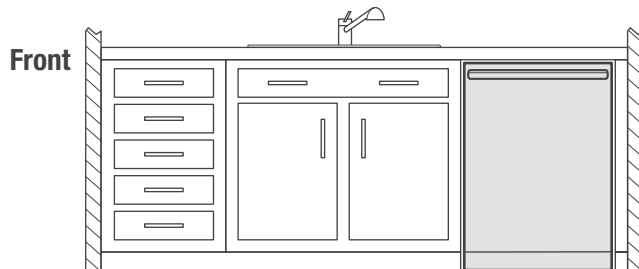
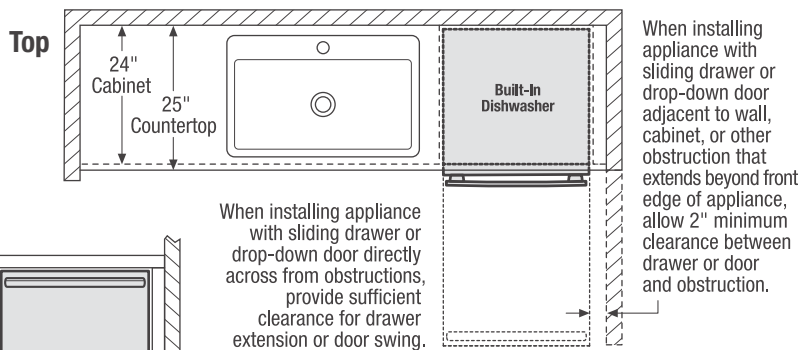
When installing appliance with sliding drawer or drop-down door directly across from obstructions, provide sufficient clearance for drawer extension or door swing.



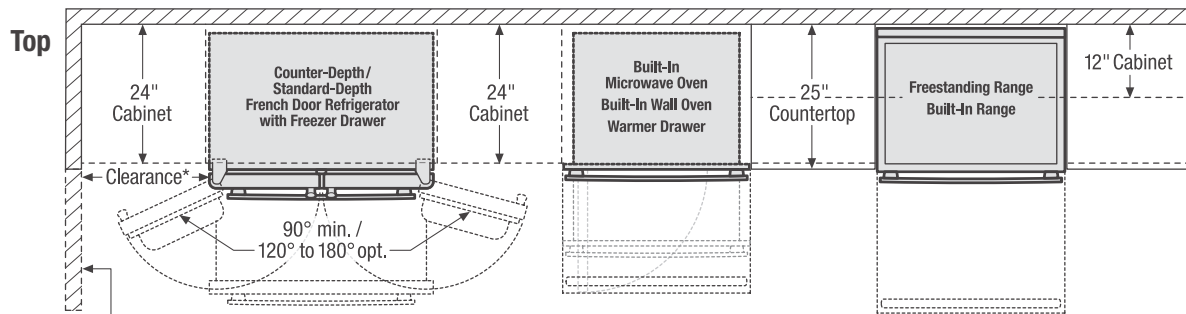
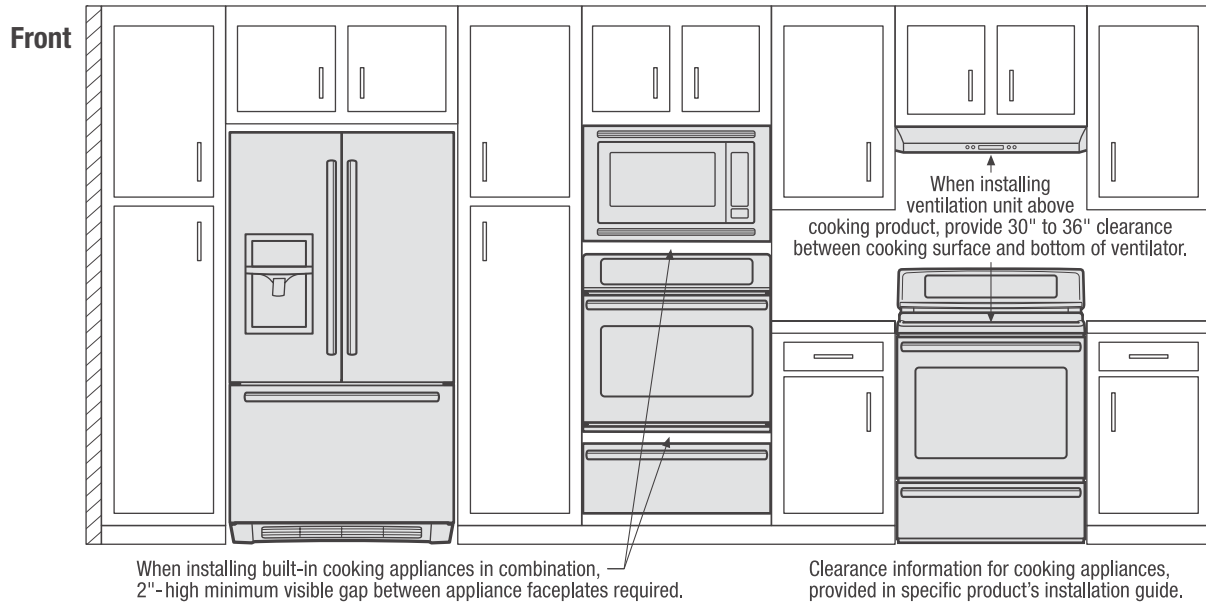
Use these dimensions and clearance instructions for planning purposes only. For detailed installation instructions, refer to installation guide, packed with product, or on the web at frigidaire.com.



\*When installing top mount refrigerator adjacent to wall, cabinet or other appliance that extends beyond front edge of unit, 20" minimum clearance recommended to allow for optimum 140° door swing, providing complete crisper access and removal. (Absolute 3" minimum clearance will ONLY allow for 90° door swing which will provide limited crisper access with restricted removal.)

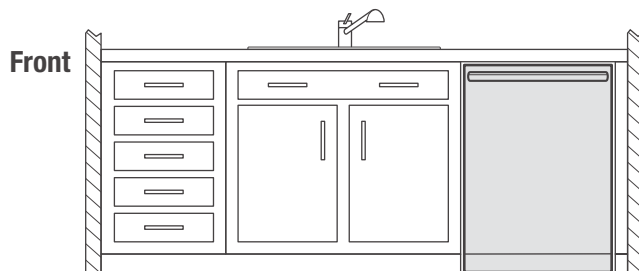
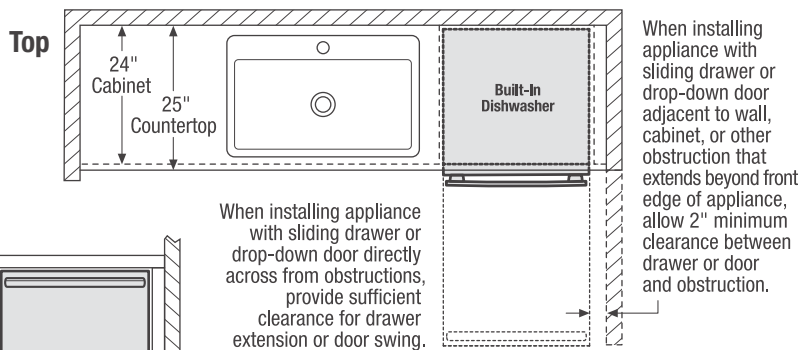


Use these dimensions and clearance instructions for planning purposes only. For detailed installation instructions, refer to installation guide, packed with product, or on the web at frigidaire.com.



\*When installing French door refrigerator adjacent to wall, cabinet or another appliance that extends beyond front edge of unit, 20" minimum clearance recommended to allow for optimum 120° to 180° door swing, providing complete drawer/crisper access and removal. (Absolute 4-1/2" minimum clearance will ONLY allow for 90° door swing which will provide limited drawer/crisper access with restricted removal.)

When installing appliance with sliding drawer, swinging or drop-down door directly across from obstructions, provide sufficient clearance for drawer extension or door swings.



Use these dimensions and clearance instructions for planning purposes only. For detailed installation instructions, refer to installation guide, packed with product, or on the web at frigidaire.com.

